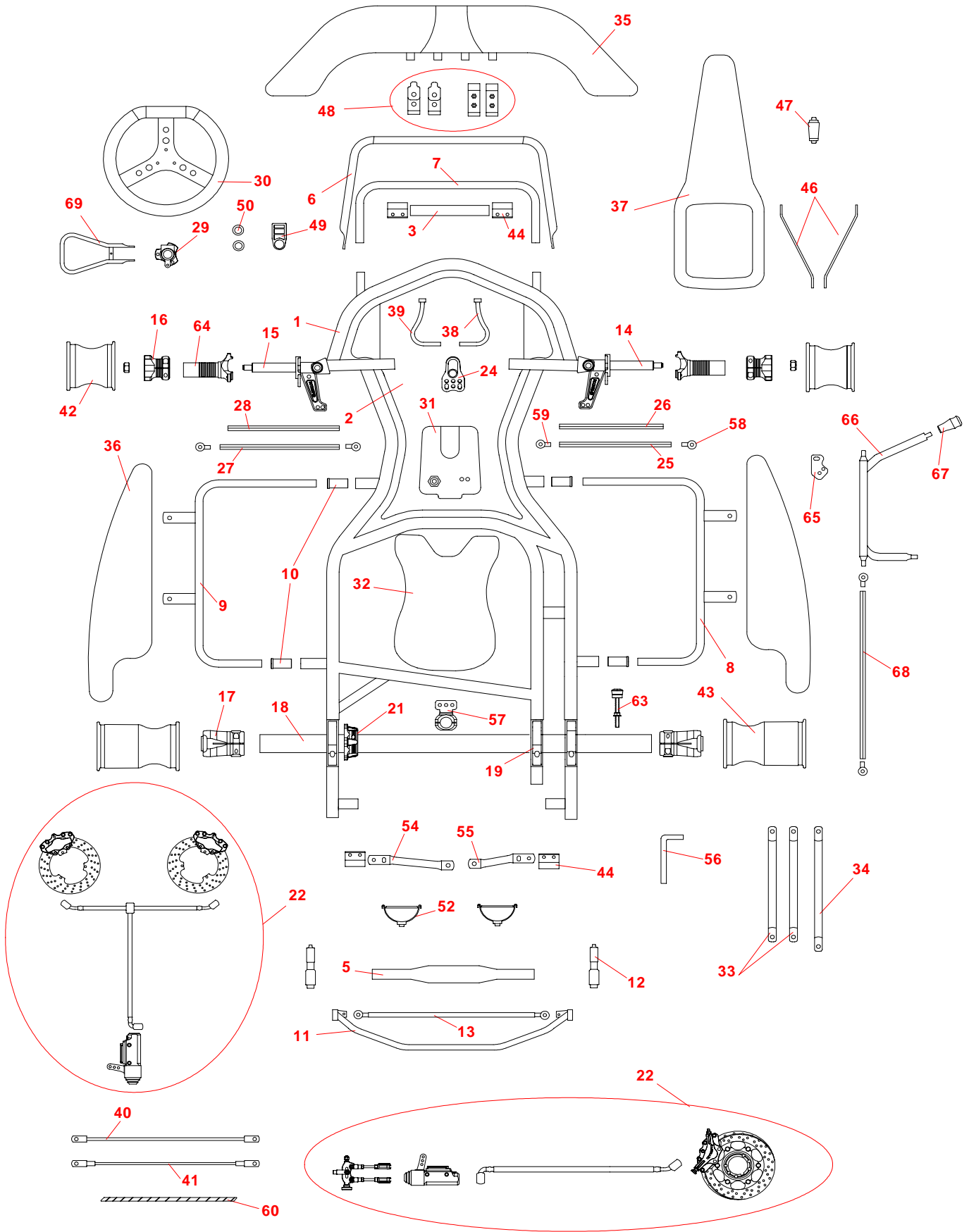


SUZPRO125-06 CHASIS MOD.SUZUKA PRO 125cc-06 STD HOMOL.163/CH/11



**CHASSIS SUZUKA 125cc-06 STD (HOMOL N. 162/CH/11)**

POS.	COD.	DESCRIZIONE	DESCRIPTION
1	SILV125SC-06	SCocca Ø32mm MOD. SUZUKA 125cc.2006	FRAME Ø32mm MOD. SUZUKA 125cc 2006
2	INT0634-05	PIANALE SUZUKA PRO MARCHIATO	FLOOR PLATE MOD. SUZUKA PRO - MARKED
3	INT0695-05	BARRA STABIL. ANTERIORE D.30 CRU/EXP/SIL.	STABILIZER FRONT ROD D.30 CRU/EXP/SIL.
5	INT0014-05	BARRA STABIL. POSTERIORE D.28 CRU/EXP/SIL/SUZ	STABILIZER REAR ROD D.28 CRU/EXP/SIL/SUZ
6	AR350-05	PARAURTI ANTERIORE SUPERIORE CIK08	UPPER FRONT BUMPER CIK08
7	AR349-05	PARAURTI ANTERIORE INFERIORE CIK08	LOWER FRONT BUMPER CIK08
8	AR345-05	PARAURTI LATERALE MOD. UNICO DESTRO	RIGHT BUMPER MOD. UNICO
9	AR346-05	PARAURTI LATERALE MOD. UNICO SINISTRO	LEFT BUMPER MOD. UNICO
10	INT0662-06	BOCCOLE IN TEFLON ATTACCO PARAURTI LATERALE	SIDE BUMPER WASHERS
11	INT0675-06	PARAURTI POST. MOD. 2006	REAR BUMPER MOD. 2006
12	INT0678-06	KIT ATTACCO PARAURTI POSTER. Ø32 IN TEFLON	BUMPER FASTENING KIT Ø32 IN TEFLON
13	INT0676-06	BARRA POSTER. ANTINTRUSIONE - UNIBALL MOD.2006	ANTI-INTRUSION REAR CIK BAR WITH UNIBALL MOD. 2006
14	INT0706-06	FUSELLO DX - Ø25 FORATO - PH2 - 125cc.	RIGHT SPINDLE - Ø25 HOLED - PH2 - 125cc.
15	INT0707-06	FUSELLO SX - Ø25 FORATO - PH2 - 125cc.	LEFT SPINDLE - Ø25 HOLED - PH2 - 125cc.
16	INT0715-06	MOZZO ANT. - L. 75 - FUSELLO Ø25 - 125cc. AL	FRONT HUB L. 75 - SPINDLE Ø25 - 125cc. - AL
17	INT0071-05	MOZZI POST. Ø 50 x 95 - AL	REAR HUBS Ø 50 x 95 - AL
18	INT0004-05	ASSALE Ø50 - T3- 1020 - 125cc.	AXLE Ø50 - T3 - 1020 - 125cc.
19	INT0549AL-05	GUSCIO PORTACUSCINETTO Ø50 - AL	BEARING SUPPORT - Ø50 - AL
21	PD025-05	PORTADISCO Ø50 FLOTTANTE EVO3ET 6 ATTACCHI - ERGAL	DISK SUPPORT Ø50 FLOATING EVO3ET 6 PIN - ERGAL
22	INT0643-06	IMPIANTO FRENO EVO3ET - (164/FR/11) - COMPLETO	BRAKING SYSTEM EVO3ET (164/FR/11) - COMPLETE
24	INT0571-05	PIANTONE STERZO L. 470 MOD SUZUKA	STEERING COLUMN L. 470 MOD. SUZUKA
25	INT0016-05	BARRETTA STERZO DX - L. 275 - MARCHIATA	RIGHT STEERING TIE ROD - L. 275 - MARKED
26	INT0630-06	BARRETTA STERZO DX - L. 265 - MARCHIATA	RIGHT STEERING TIE ROD - L. 265 - MARKED
27	INT0629-06	BARRETTA STERZO SX - L. 280 - MARCHIATA	LEFT STEERING TIE ROD - L. 270 - MARKED
28	INT0631-06	BARRETTA STERZO SX - L. 270 - MARCHIATA	LEFT STEERING TIE ROD - L. 280 - MARKED
29	INT075-05	MOZZO VOLANTE PER 125cc - INTREPID	STEERING HUB FOR 125cc. - INTREPID
30	INT0144-05	VOLANTE INTREPID Ø320	INTREPID STEERING WHEEL Ø320
31	AR277-05	SERBATOIO ESTRAIBILE 8,5 lt.	EXTRACTABLE FUEL TANK - 8,5 lt.
32	AR444_05	SEDILE VETRORESINA SPALLA ALTA MOD.FT RACING	FIBERGLASS SEAT HIGH BACK MOD. FT RACING
33	AR060-05	RINFORZO SEDILE L320	SEAT SUPPORT L320
34	AR415-05	RINFORZO SEDILE L340	SEAT SUPPORT L340
35	AR305PR-05	SPOILER CIK08	SPOILER CIK 08
36	AR312PR-05	CARENATURA LATERALE DX/SX CIK08 MOD.UNICO	SIDE BODYWORK RG/LF CIK 08 MOD. UNICO
37	AR298PR-05	FRONTALINO PORTANUMERO - COMPLETO CIK 08	NUMBER HOLDER PLATE - COMPLETE MOD. UNICO
38	INT0091-05	PEDALE INTREPID - ACCELERATORE	RIGHT PEDAL INTREPID - ACCELERATOR
39	INT0092-05	PEDALE INTREPID - FRENO	LEFT PEDAL INTREPID - BRAKE
40	FR203-05	TIRANTE FRENO L 340mm COMPLETO	COMPLETE BRAKE TIE - ROD L. 340mm COMPLETO
41	INT0215-06	CAVO DI SICUREZZA L280 - FORCELLE, CLIPS E PROLUNGA	SAFETY CABLE L.280 - LITTLE FORKS, CLIPS, EXTENSION
42	CE089MGN-06	CERCHI ANT. Ø132 - RAZZE - COL.NERO - MG	FRONT WHEELS Ø132 - SPOKED - BLACK - MG
43	CE091MGN-06	CERCHI POST. Ø212 - RAZZE - COL. NERO - MG	REAR WHEELS Ø212 - SPOKED - BLACK - MG
44	AR197ALTT-05	FASCETTA STRINGITUBO - RINFORZATA - Ø28	TIGHTENING PIPE BELT - REINFORCED - Ø28
45	AR403ALTT-05	FASCETTA STRINGITUBO - RINFORZATA - Ø30	TIGHTENING PIPE BELT - REINFORCED - Ø30
46	AR014-05	KIT SUPPORTO FRONTALINO SUPERIORE	SUPPORT KIT FOR HIGH NUMBER HOLDER PLATE
47	AR400-05	KIT SUPPORTO FRONTALINO INFERIORE - TEFLON	SUPPORT KIT FOR LOW NUMBER HOLDER PLATE - TEFLON
48	AR019-05	KIT ATTACCO SPOILER - COMPLETO - CIK08	SPOILER FASTENING KIT - COMPLETE - CIK 08
49	AR079RS-05	SUPPORTO PIANTONE - NYLON - 2 FORI - COL.ROSSO	STEERING COLUMN SUPPORT - NYLON - 2 HOLES - RED
50	ST001-05	ANELLO FERMO PIANTONE STERZO	RING FOR STEERING COLUMN LOCKING
52	AR181-05	CULLA MARMITTA - COMPLETA	SILENCER HOLDER - COMPLETE
54	AR331-05	SUPPORTO SILENZIATORE DX LUNGO 100cc	RIGHT LONG SILENCER SUPPORT 100cc
55	AR332-05	SUPPORTO SILENZIATORE SX CORTO 100cc	LEFT SHORT SILENCER SUPPORT 100cc
56	AR457-05	SUPPORTO PARACATENA 125cc	CHAIN GUARD SUPPORT 125cc
57	GT018-05	SUPPORTO POMPA ACQUA Ø32mm	WATER PUMP SUPPORT Ø32mm
58	ST110DX-05	SNODO SFERICO MASCHIO M8 DX	RIGHT MALE BALL-JOINT M8
59	ST110SX-05	SNODO SFERICO MASCHIO M8 SX	LEFT MALE BALL-JOINT M8
60	INT0692-06	PROTEZIONE PER CAVO FRENO - TEFLON	PROTECTIVE FOR CABLE- TEFLON
62			